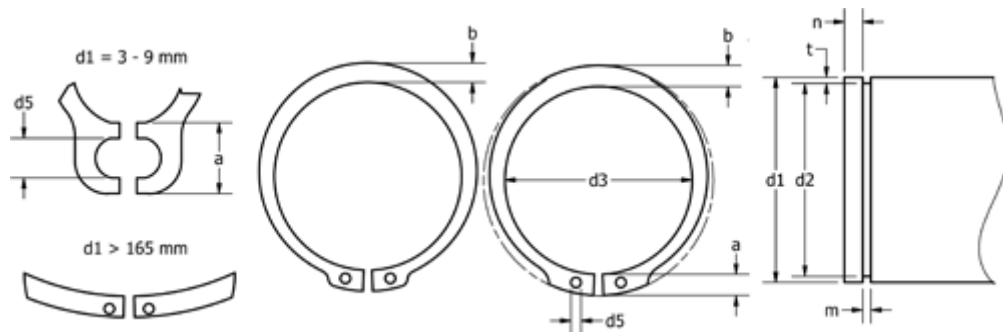


Article number: 0101027
 Description: Retaining ring A 12 DIN 471
 Spring steel
 Note: Fitted with ZGA pilers

Measures



| | | | | | |
|--------------------|--------|---------------|---------|----------------|--------------|
| a max | = 3.3 | FN kN | = 1.5 | s | = 1.00 |
| AN mm ² | = 9.2 | FRg kN | = 2.40 | t | = 0.25 |
| b | = 1.8 | FR kN | = 5.00 | tol | = -0.11 |
| d1 | = 12 | g | = 1.0 | tol | = -0.06 |
| d2 | = 11.5 | K kN-mm | = 24.00 | tol | = +0,10+0,36 |
| d3 | = 11.0 | m min | = 1.10 | Tong | = ZGA-1 |
| d5 min | = 1.7 | n abl x 1000 | = 75.0 | Weight kg/1000 | = 0.500 |
| Description | = A12 | Nominal drive | = 0.8 | | |